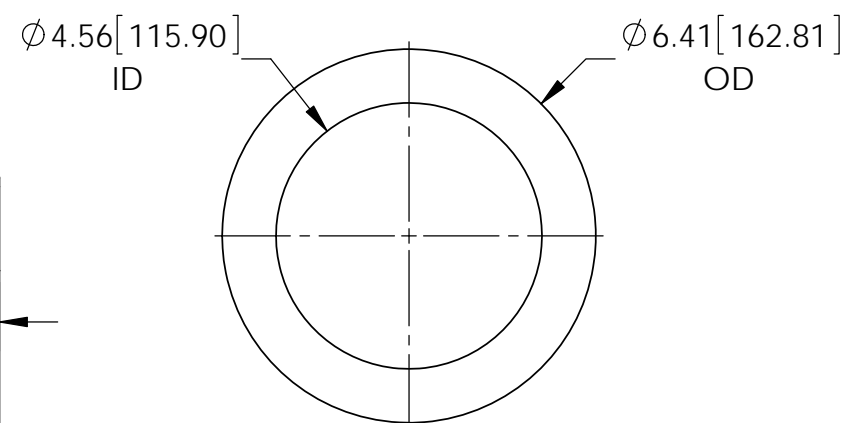
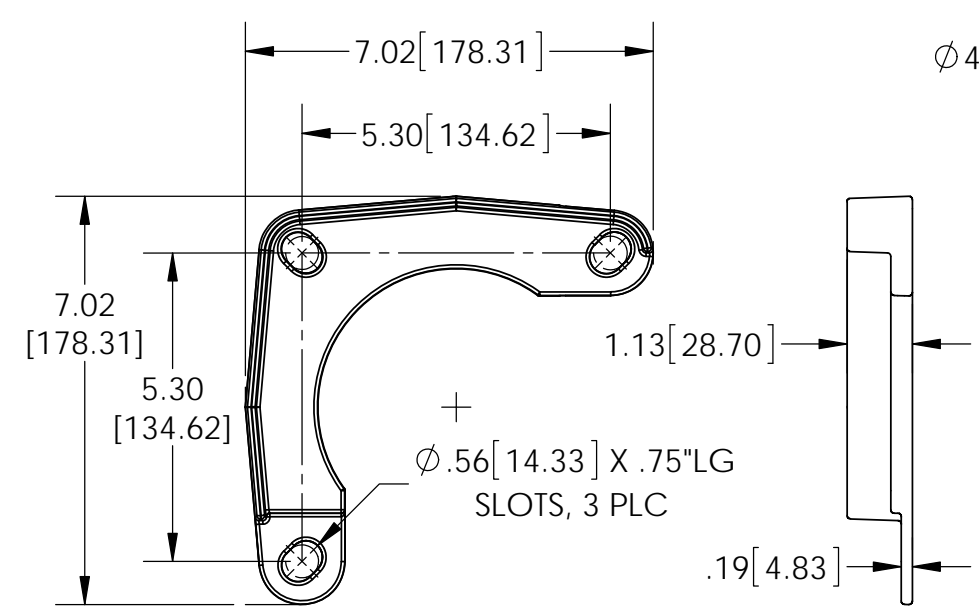
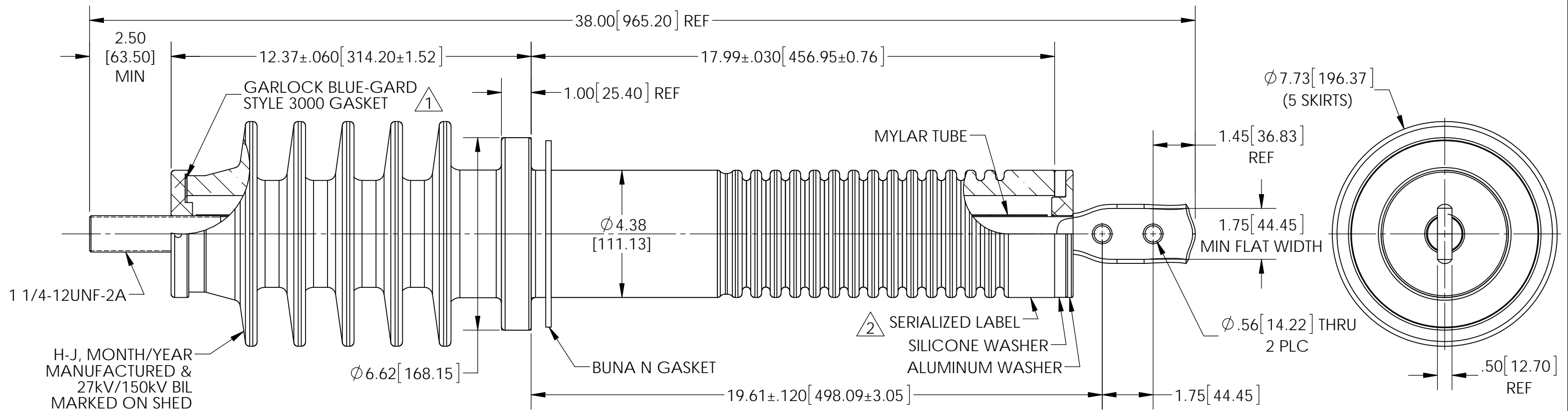


REVISIONS					
REV.	DATE	ECN #	DESCRIPTION	BY	APP'D
1	4/22/2015	HJ15-077	ADDED GASKET, SW REDRAW	TJF	BLB
2	7/20/2015	PQI# E1502001	ADDED SERIALIZED LABEL	CLS	CJT



BUSHING TO ROOF GASKET
 REQ'D: 1 PER ASSEMBLY
 MAT'L: .19" ±.020" NITRILE BUNA N

- PORCELAIN NOTES:**
1. WET PROCESS ELECTRICAL PORCELAIN
 2. GRAY GLAZE MUNSELL 5BG 7.0/0.4
 3. TOLERANCE ±3% WITH NOTHING LESS THAN ±.03, UNLESS OTHERWISE NOTED ON DRAWING
 4. 60HZ WITHSTAND: 60KV DRY
50KV WET
 5. CREEPAGE: > 26.52" TOP
> 23.60" BOTTOM
 6. TOP & BOTTOM TERMINALS ARE TIN PLATED
 7. FOR AIR-TO-AIR APPLICATION.

ROOF MOUNTING FLANGE
 REQ'D: 2 PER ASSEMBLY
 MAT'L: ALUMINUM

PROPRIETARY AND CONFIDENTIAL
 THE INFORMATION CONTAINED IN THIS DRAWING IS THE SOLE PROPERTY OF H-J ENTERPRISES, INC. ANY REPRODUCTION IN PART OR AS A WHOLE WITHOUT THE WRITTEN PERMISSION OF H-J ENTERPRISES, INC. IS PROHIBITED.
 REMOVE ALL BURRS & SHARP EDGES

TOLERANCES (EXCEPT AS NOTED) DECIMAL +/- .032 / .8mm FRACTIONAL +/- ANGULAR +/- 2 Degrees		H - J ENTERPRISES, INC. 3010 HIGH RIDGE BLVD. HIGH RIDGE, MO. 63049 USA PHONE 1-636-677-3421 FAX 1-636-376-1915	
		27KV-150KV BIL/1200A PORCELAIN BUSHING ASSEMBLY W/O DAG	
		MATERIAL SEE DRAWING	
DRAWN BY CJT	DATE 8/6/2008	CHK'D CJT	APP'D 07/20/15 SCALE N.T.S.
			DRAWING NO. AS1425-004